

TOWN OF MOUNTAIN VIEW

2021 DOLA STORM WATER PROJECT PRESENTATION

Prepared by:



RG AND ASSOCIATES, LLC

Engineering • Planning • Construction Administration

Presentation Agenda

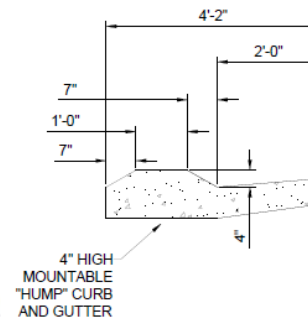
- **Project Scope**
 - **Town wide replacement of curb and gutter**
 - **Lining of Ames St. storm line between W. 43rd Ave. and W. 44th Ave.**
 - **Curb and gutter improvements along the north side of W. 41st Ave. between Eaton St. and Ames St.**
- **W. 41st Ave Improvements – Before and After Pictures**
- **Project Cost**
- **Questions**

PROJECTS

- **Town wide replacement of curb and gutter**
 - Replace deteriorated curb and gutter
- **Lining of Ames St. storm line between W. 43rd Ave. and W. 44th Ave.**
 - Line deteriorated storm pipe and install manhole



- **Curb and gutter improvements along the north side of W. 41st Ave.**
 - To address drainage issues
 - Maintain the same parking amount



CURB AND GUTTER

W. 41st Ave. at Eaton Looking East

Before



Near Eaton St. Along W. 41st Ave.
Looking East

W. 41st Ave. at Eaton Looking East

After



Near Eaton Street Along W. 41st Ave.
Looking East

W. 41st Ave. Between Alley & Depew St. Looking East

Before



W. 41st Avenue



W. 41st Ave. Before Depew Street
Looking East

W. 41st Ave. Between Alley & Depew St. Looking East After



W. 41st Avenue

W. 41st Ave. Before Depew Street Looking East

W. 41st Ave. and Depew St. Before Alley

Looking East

Before



W. 41st Avenue

W. 41st Ave. & Depew Street Before Alley

Looking East

W. 41st Ave. and Depew St. Before Alley

Looking East

After



W. 41st Avenue

W. 41st Ave. & Depew Street Before Alley

Looking East

W. 41st Ave. Between Alley & Benton St Looking East

Before



W. 41st Avenue

W. 41st Ave. Between Alley & Benton Street

Looking East

W. 41st Ave. Between Alley & Benton St Looking East

After



W. 41st Avenue

W. 41st Ave. Between Alley & Benton Street
Looking East

W. 41st Ave. at Benton Street Looking East

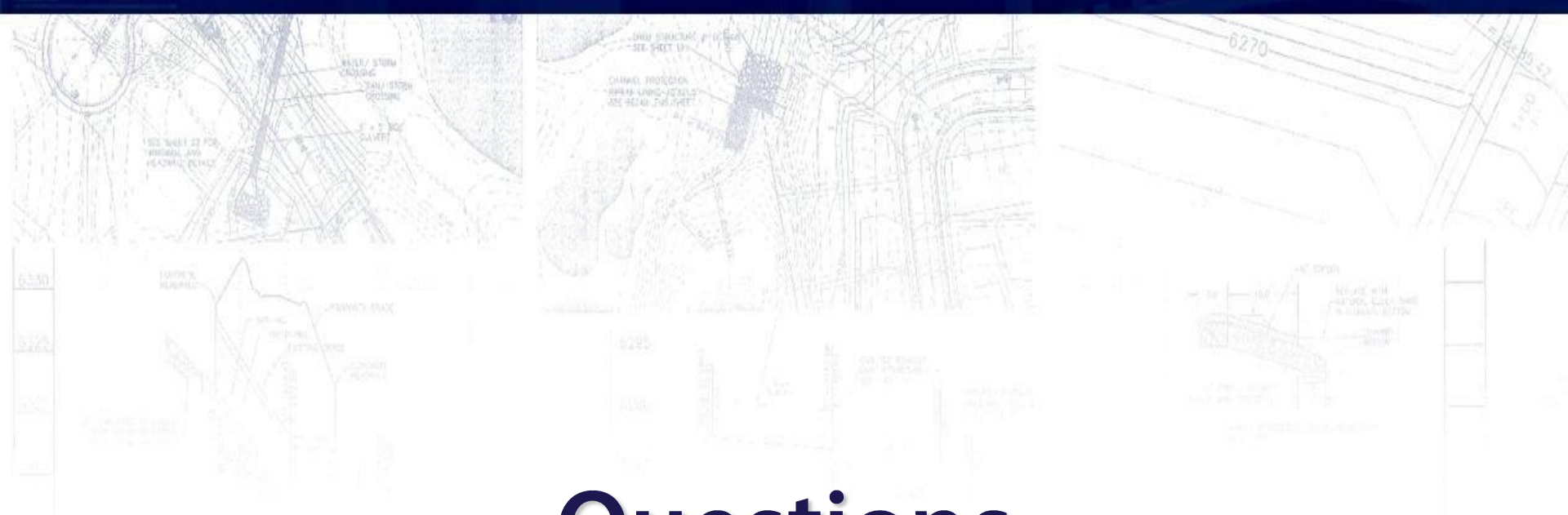
After



W. 41st Ave. at Benton Street Looking East

PROJECT COSTS

TASK	COSTS
MOBILIZATION/DEMobilIZATION	\$20,000
CURB AND GUTTER REPLACEMENT – TOWN WIDE	\$203,500
CURB AND GUTTER REPLACEMENT – ALONG W. 41 ST AVENUE	\$186,000
POINT REPAIRS	\$40,000
REPLACE 8" STORM PIPE	\$81,300
LINING 8" STORM PIPE	\$17,900
LINING 12" STORM PIPE	\$3,300
INSTALL MANHOLE	\$12,000
ENGINEERING ADMINISTRATION	\$16,900
DESIGN	\$47,900
CONSTRUCTION MANAGEMENT	\$47,900
TOTAL COSTS PRE-DOLA GRANT	\$676,700
PENDING DOLA GRANT	\$600,000
PROJECTED COST TO THE TOWN	\$76,700



Questions